



velo AUTOMATIC HAND DRYER

- Hand dryer with laser sensor.
- Model for mounting on the surface.
- Housing with black painted front. Also available in other colors.
- With HEPA filter ZeroSmell ® technology.
- They are shown with 2 serial fronts (white + color) and 2 output disks (Multi jet and Blade).
- Configurable in two types of power: Turbo or Eco.
- Suitable for collectivities and places of high frequency of use.
- Robust, anti vandalism and safe because it is built without sharp edges or other dangerous elements.

velo TECHNICAL DATA

- Housing made of several pieces of fire retardant ABS. front painted black.
- Electronic infrared sensor that stops the hand dryer when the hands are removed from the detection field.
- Exit temperature of air to ambient temperature. It does not have electrical resistance.
- Long life brush motors: 300000 cycles.
- Dryer speed motor: 30000 r.p.m.
- Multi jet air outlet with acoustic damping system avoids noise caused by the air outlet.
- Blade air outlet is designed for quick and effective drying.
- Power in Turbo mode: 900 W. Eco mode: 700 W.
- Voltage/Frequency: 220 240 V 50/60 Hz.
- Sensor range: 0 20 cm.
- Consumption in turbo mode: 4 A. Eco mode: 3,2 A.
- Sound level at 2 meters: 65 dBA.
- Protection index: IP22.
- Dimensions: 277 height x 164 width x 177 depth (mm).
- Total weight: 3 kg.
- Function: place your hands under the appliance. The hand dryer activates automatically, remaining in operation while the hands are inside the field of the sensor. The appliance switches off after a few seconds of removing them.
- Cleaning: cleaning is recommended with a cotton cloth slightly moistened is a soapy solution. Then, dry.
- Turbo Blade estimated drying time: 6 8 seconds.
- Turbo Multijet estimated drying time: 8 10 seconds.
- Eco Blade estimated drying time: 8 10 seconds.
- Eco Multijet estimated drying time: 10 12 seconds.
- Warranty: 5 years

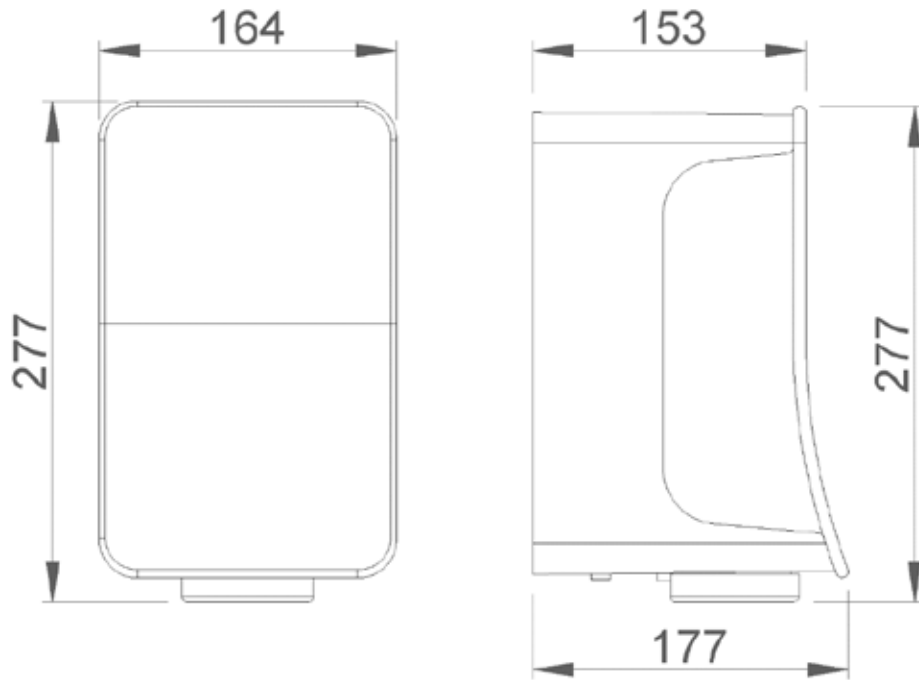
Note: Unit can be hard-wired by an electrician or used with cord and plug provided



AUTOMATIC HAND DRYER

CODE 01871.BK

TECHNICAL DRAWING



DIMENSIONS IN mm



Velo Hand Dryers
Suite 1A Level 2
802-808 Pacific Highway
Gordon NSW 2072
www.velohanddryers.com.au
sales@velohanddryers.com.au