



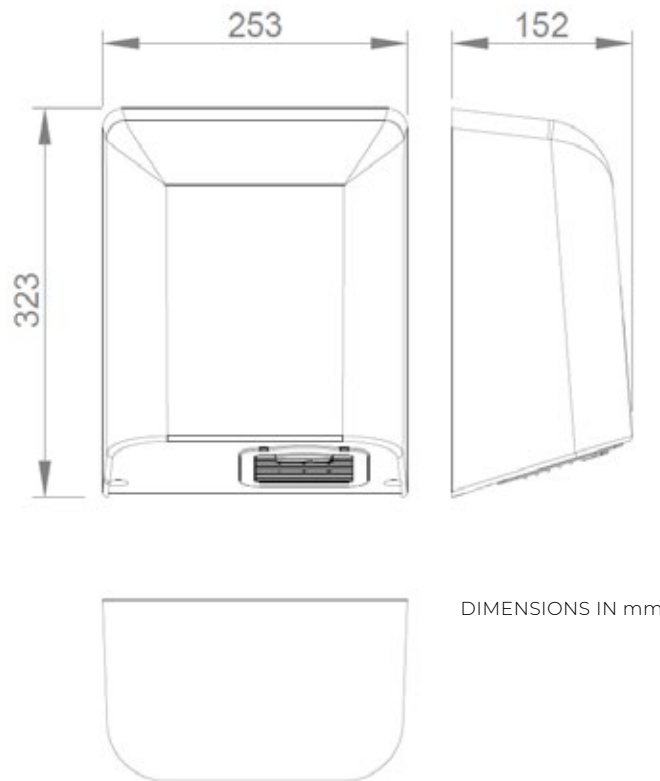
velo AUTOMATIC ELECTRONIC HAND DRYER

- Hand dryer with electronic sensor.
- Model for mounting on the surface.
- Stainless steel sheet housing white finish. Also available in satin finish (NOFER 01451.S) and gloss finish (NOFER 01451.B).
- Suitable for collectivities and designed for high traffic bathroom and continuous use.
- Robust, anti-vandal and safe because it is built without sharp edges or other dangerous elements.
- In accordance with LVD and EMC standards and the current European directives.

velo TECHNICAL DATA

- White finish stainless steel cover manufactured in one piece stainless steel cover manufactured in one piece (thickness=1,2 mm).
- Protection grid made in polycarbonate. Fire resistant plastic evolute.
- Wall fixation by 4 drills (Ø 8 mm). Fixing material included.
- Electronic Infrared sensor that stops the function when the hands leave the active range.
- Air temperature (room temperature de 20°C): 60°C.
- Universal motor without brushes (maintenance not needed).
- Motor speed 2800 r.p.m.
- Air flow 4000 l/min (240 m³/h) speed 65 Km/
- Total power 2050 W.
- Motor power: 110 W.
- Voltage/Frequency: 220-240 V 50/60 Hz.
- Electrical isolation: Class II.
- Sensor sensitivity: 8-50 cm.
- Overheating resistance thermostat (automatic rearmament).
- Thermal fuse double security adjusted to 133°C.
- Sensor distance: 0-20 cm (regulation not possible).
- Maximum consumption 9 A.
- Noise level from 2 meters: 60 dBA.
- Protection index: IPX1.
- Dimensions: 323 height x 253 width x 152 depth (mm).
- Net weigh: 3,4 kg.
- Function: place your hands under the appliance. The dryer will start automatically and it continues working while the hands are within the active range. The device switches off after a few seconds of removal .
- Cleaning: we recommend cleaning with a cotton cloth slightly moistened with a soap solution. Then dry it.
- Estimated drying time: 40 seconds.

velo TECHNICAL DRAWING



DIMENSIONS IN mm

velo INSTALLATION

In toilet areas with a high frequency use, the recommendation is to install one hand dryer for each toilet. In toilet areas with a lower frequency of use, the recommendation is to install one hand dryer for every two sinks or two dryers for every three washbasins. Installation should be as shown in fig 0. In case of installation on marble or shiny surfaces, it should be located 40 cm above the surface.

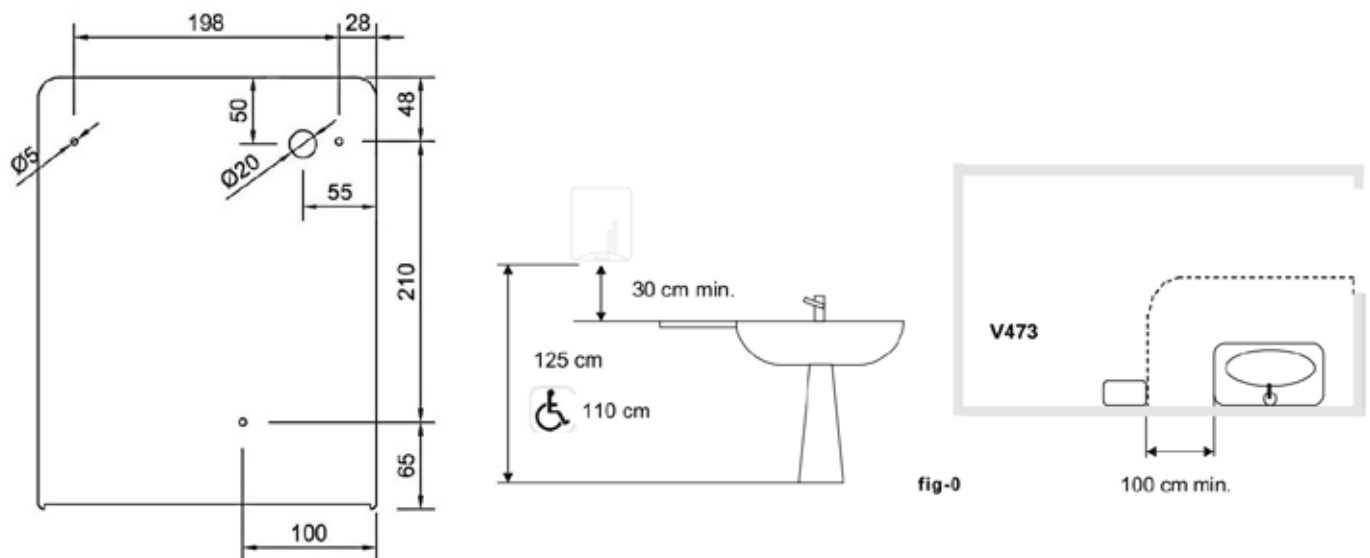


fig-0