



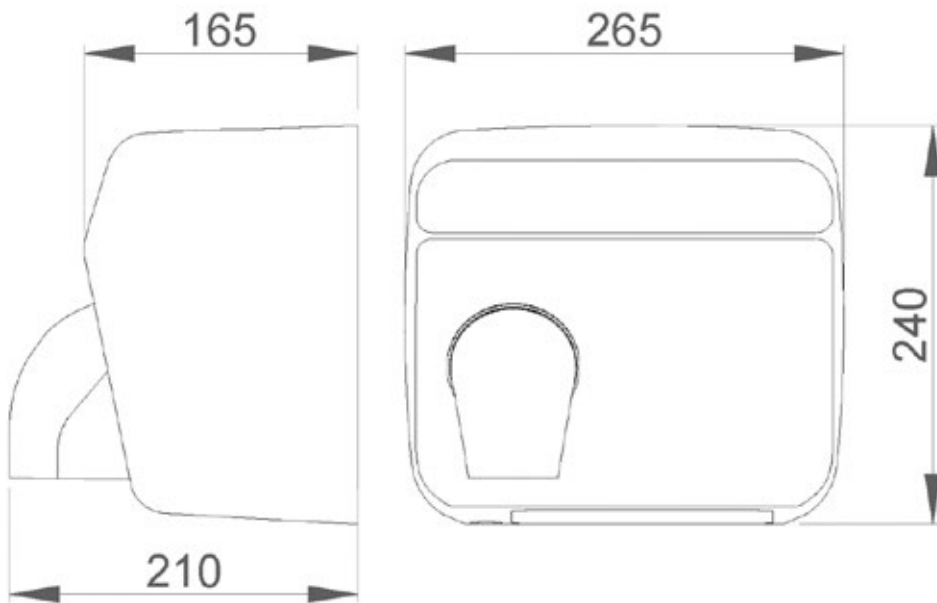
### velo AUTOMATIC ELECTRONIC HAND DRYER

- High end hand dryer with electronic sensor.
- Model for mounting on the surface.
- Stainless steel sheet housing white finish. Also available in satin finish (NOFER 01101.S) and gloss finish (NOFER 01101.B).
- Suitable for collectivities and places of high frequency of use.
- Indicated for uninterrupted use. Top quality components.
- Robust, anti vandal and safe because it is built without sharp edges or other dangerous elements.
- In accordance with European safety directives (EC).

### velo TECHNICAL DATA

- Housing made of one piece satin finish of AISI 304 stainless steel (thickness=1,2 mm).
- Electronic infrared sensor that stops the hand dryer when the hands are removed from the detection field.
- Motor of universal type without brushes (does not require maintenance).
- Air temperature (environment 20°C): 53°C to 10 cm.
- Motor speed: 6500 r.p.m.
- Air speed: 117 km/h.
- Total power: 2450 W.
- Motor power: 250 W.
- Voltage/Frequency: 220 240 50/60 Hz.
- Electric insulation: Class I.
- Electrical protection of the motor: fuse. Electrical protection of the resistance: internal thermostat.
- Thermostat overheating resistance (automatic reset).
- Distance to the sensor: 0 20 cm (without possibility of regulation).
- Maximum consumption of 10,6 A.
- Noise level at 2 meters: 70 dBA.
- Protection index: IPX1.
- Dimensions: 240 height x 265 width x 210 depth (mm).
- Net weight: 5,5 kg.
- Function: place your hands under the appliance. The hand dryer activates automatically, remaining in operation while the hands are inside the field of the sensor. The appliance switches off after a few seconds of removing them.
- Cleaning: we recommend cleaning with a cotton cloth slightly moistened with a soap solution. Then dry it.
- Estimated drying time: 28 seconds.

velo TECHNICAL DRAWING



DIMENSIONS IN mm