



FROSTED GLASS FOR TOOTHBRUSH

CODE 16881.G



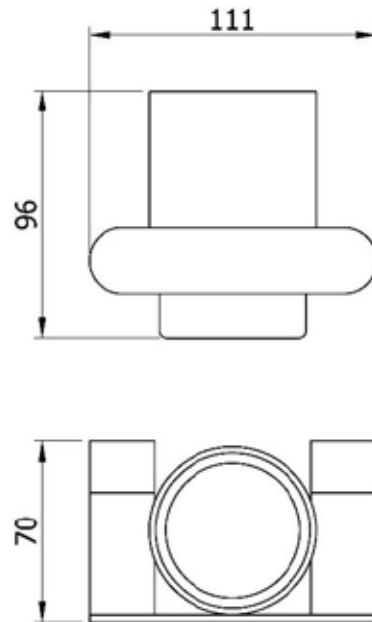
VELO FROSTED GLASS FOR TOOTHBRUSH WITH WALL SUPPORT

- Frosted glass for toothbrush made of stainless steel AISI 304.
- Durability and resistance against corrosion.
- Suitable for public areas.
- Brushed gold finished. Also available in black finished (VELO 16881.N), polish finished (VELO 16881.B) and satin finished (VELO 16881.S).

VELO TECHNICAL DATA

- Made of brushed gold finished stainless steel AISI 304 and frosted glass.
- Dimensions: 96 height x 111 width x 70 depth(mm).
- Equipped with fixing materials.
- Cleaning: we recommend cleaning with a cotton cloth slightly moistened with a soap solution. Then dry it.

VELO TECHNICAL DRAWING



DIMENSIONS IN mm

SUGGESTED TEXT FOR PRESCRIPTION

VELO frosted glass for toothbrush, made of brushed gold finished AISI 304 stainless steel.
Dimensions: 96 height x 111 width x 70 depth(mm).



Velo Hand Dryers
Suite 1A Level 2
802-808 Pacific Highway
Gordon NSW 2072
www.velohanddryers.com.au
sales@velohanddryers.com.au

Related Products

16871.G	16875.G	16880.G	16843.G	16877.G	