



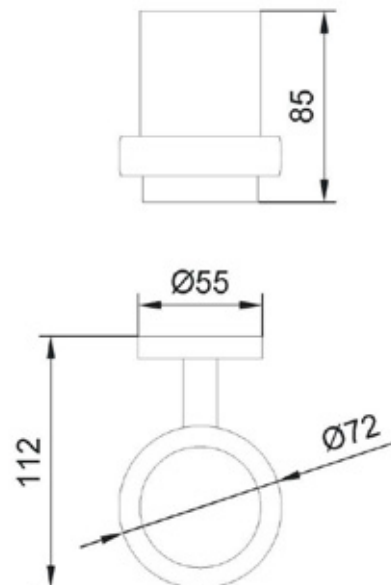
velo GLASS WITH WALL SUPPORT

- Glass with wall support .
- Durability and resistance against corrosion .
- Black finished stainless steel .

velo TECHNICAL DATA

- Made of AISI 304 stainless steel.
- Dimensions: 85 height x 72 width x 112 depth (mm).
- Hidden wall fixations included.

velo TECHNICAL DRAWING



DIMENSIONS IN mm

SUGGESTED TEXT FOR PRESCRIPTION

VELO glass with support made of AISI 304 stainless steel .
Dimensions : 85 height x 72 width x 112 depth (mm).

Related Products

16850.N	16852.N	16851.N	16854.N	16855.N	16856.N