



velo TOILET PAPER HOLDER RESERVE

- Toilet paper holder reserve.
 - Durability and resistance against corrosion .
- Suitable for public areas

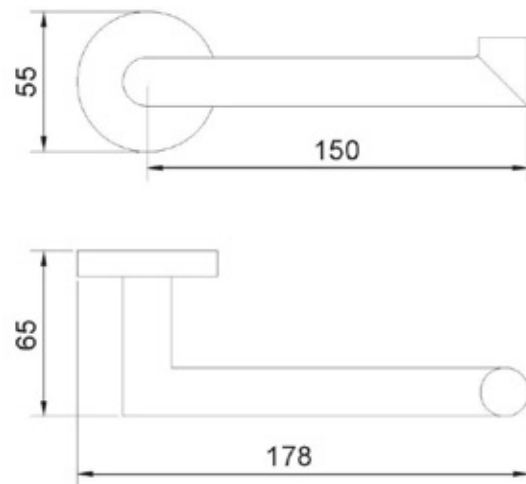
velo TECHNICAL DATA

- Made in AISI 304 stainless steel .
- Black finished stainless steel .
- Dimensions : wall support Ø55 mm, 178 width x 65 depth (mm).
- Hidden wall fixations included .

SUGGESTED TEXT FOR PRESCRIPTION

VELO toilet paper holder reserve, made in black finished AISI 304 stainless steel .
Dimensions : wall support Ø55 mm, 178 width x 65 depth (mm).

velo TECHNICAL DRAWING



DIMENSIONS IN mm

Related Products

16850.N	16852.N	16851.N	16854.N	16855.N	16856.N