



velo TOILET PAPER HOLDER

- Toilet paper holder
- Durability and resistance against rust and corrosion .
- Suitable for public areas .
- Easy to clean .

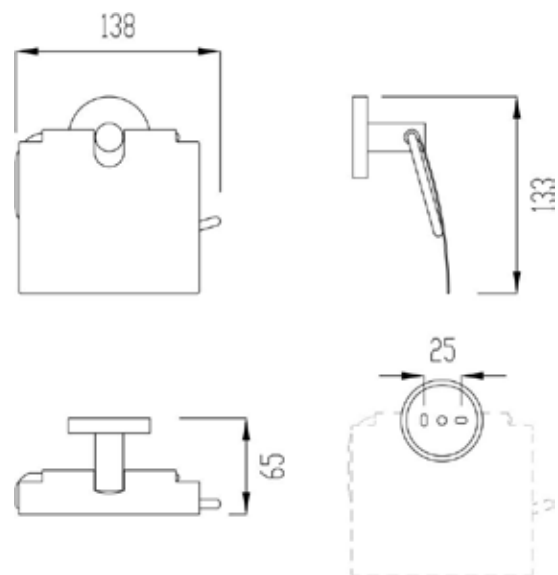
velo TECHNICAL DATA

- Made of satin finished AISI 304 stainless steel .
- Dimensions : 133 height x 138 width x 65 depth (mm).
- Concealed fixing .
- Equipped with fixing materials .
- Maintenance : stainless steel needs maintenance because dust can eventually damage the chrome in stainless steel. We recommend monthly cleaning with a stainless steel special product.

SUGGESTED TEXT FOR PRESCRIPTION

VELO toilet paper holder , made of satin finished AISI 304 stainless steel .
Dimensions : 133 height x 138 width x 65 depth (mm).

velo TECHNICAL DRAWING



DIMENSIONS IN mm

Related Products

16850.S	16852.S	16853.S	16854.S	16855.S	16856.S