



VELO TOOTHBRUSH CUP

- Cup for toothbrushes with aluminium wall support. wall support. Also available in brushed gold finish (VELO 16231.G).
- Durability and resistance.
- Suitable for public environments and high frequency of use.
- Black finish.

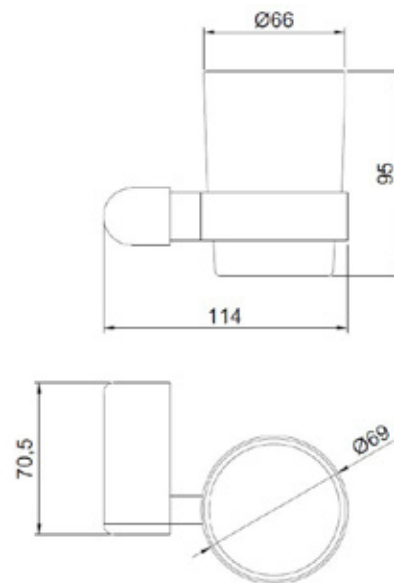
VELO TECHNICAL DATA

- Made of aluminium , black finish.
- Cup holder ring support.
- Matte glass cup.
- Dimensions: 95 height x 114 width x 70,5 depth (mm).
- Stainless steel fixing material included. Hidden fixation.
- Threaded fixing system to the wall by means of a plate.

SUGGESTED TEXT FOR PRESCRIPTION

VELO toothbrush cup with wall support, made of aluminium, black finish.
Dimensions: 95 height x 114 width x 70,5 depth (mm).

VELO TECHNICAL DRAWING



DIMENSIONS IN mm

Related Products

16225.N	16228.N	16223.N	16221.N	