



velo TOOTHBRUSH CUP

- Cup for toothbrushes with aluminium wall support. Also available in black finish (VELO 16231.N).
- Durability and resistance.
- Suitable for public environments and high frequency of use.
- Brushed gold finish.

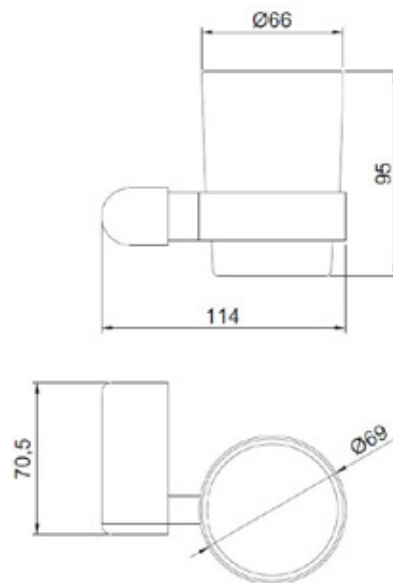
velo TECHNICAL DATA

- Made of aluminium , brushed gold finish.
- Cup holder ring support.
- Matte glass cup.
- Dimensions: 95 height x 114 width x 70,5 depth (mm).
- Stainless steel fixing material included. Hidden fixation.
- Threaded fixing system to the wall by means of a plate.

SUGGESTED TEXT FOR PRESCRIPTION

VELO toothbrush cup with wall support, made of aluminium, brushed gold finish.
Dimensions: 95 height x 114 width x 70,5 depth (mm).

velo TECHNICAL DRAWING



DIMENSIONS IN mm

Related Products

16225.G	16228.G	16223.G	16221.G	