



FIXED GRAB BAR

- 90° angle grab bar to fix to wall, with rosette.
- Three anchor points.
- Support suitable for bathrooms, wc-bidet, showers and baths.
- Designed for adapted toilets for disabled.
- Satin finished stainless steel. Also available in polish finish (VELO 15159.B) and white Nylon finish (VELO 15159.W).

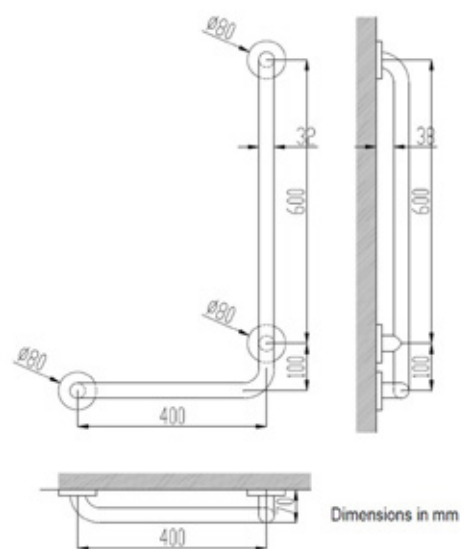
TECHNICAL DATA

- Made of AISI 304 stainless steel.
- Dimensions: 700 x 400 mm, bar Ø 32 mm.
- Fixing materials included.
- Maintenance: stainless steel needs maintenance because dust can eventually damage the chromium (Cr) content in stainless steel. We recommend monthly cleaning with a stainless steel special cleaner.

SUGGESTED TEXT FOR PRESCRIPTION

VELO 90° angled grab bar made of AISI 304 stainless steel. Three anchor points. Dimensions: 700 x 400 mm, bar Ø 32 mm.

TECHNICAL DRAWING



Related Products

| | | | | | |
|---------|---------|---------|---------|---------|------------|
| | | | | | |
| 15059.B | 15052.B | 15060.B | 15198.B | 15062.B | 15051.80.B |