



velo FIXED GRAB BAR

- 60° angle grab bar to fix to wall, with rosette.
- Two anchor points.
- Support suitable for bathrooms, wc-bidet, showers and baths.
- Designed for adapted toilets for disabled.
- Stainless steel satin finish. Also available in white Nylon finish (VELO 15069.W) and polish finish (VELO 15069.B). Reversible position.

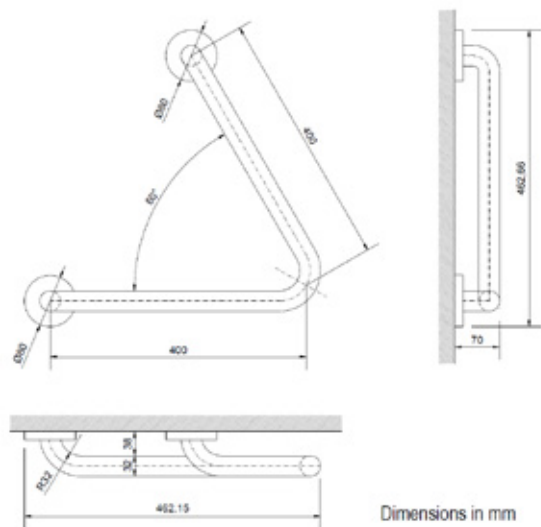
velo TECHNICAL DATA

- Made of AISI 304 stainless steel.
- Dimensions: horizontal arm 400 mm, inclined arm 400 mm.
- Bars Ø 32 mm, rosette Ø 80 mm.
- Fixing materials included.
- Maintenance: Stainless steel needs maintenance because dust can eventually damage the chrome in stainless steel. We recommend monthly cleaning with our special product.

SUGGESTED TEXT FOR PRESCRIPTION

60° angle fixed grab bar VELO or similar, in AISI 304 stainless steel. Dimensions: horizontal arm 400 mm, inclined arm 400 mm. Bars Ø 32 mm, rosette Ø 80 mm.

velo TECHNICAL DRAWING



Related Products

15059.B	15052.B	15060.B	15198.B	15062.B	15051.80.B