



velo FOLDING GRAB BAR

- Folding grab bar to fix to wall with roll holder.
- Includes a folding leg for a better support and vertical locking.
- Improved space utilization.
- Suitable for accesible toilets, wc, showers and baths.
- Stainless steel white Nylon finish. Also available in satin finish (VELO 15062.S) and polish finish (VELO 15062.B).

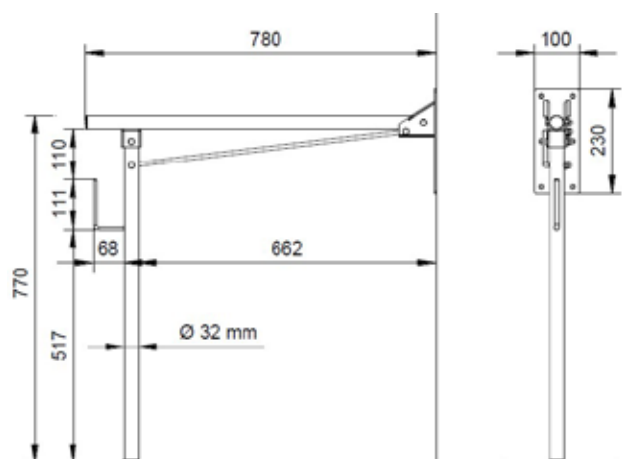
velo TECHNICAL DATA

- Made of AISI 304 stainless steel.
- Bars: 1,5 mm thick, , Ø 32 mm.
- Dimensions: 780 mm long, 770 mm high.
- Maintenance: stainless steel needs maintenance because dust can eventually damage the chrome in stainless steel. We recommend monthly cleaning with our special product.
- Includes mounting components.

SUGGESTED TEXT FOR PRESCRIPTION

Folding grab bar VELO or similar, in AISI 304 stainless steel. With folding leg and roll holder. Dimensions: 780 mm long, 770 mm high. 1,5 mm thick, , Ø 32 mm.

velo TECHNICAL DRAWING



DIMENSIONS IN mm

Related Products

15206.S	15064.S	15205.S	15203.S		