



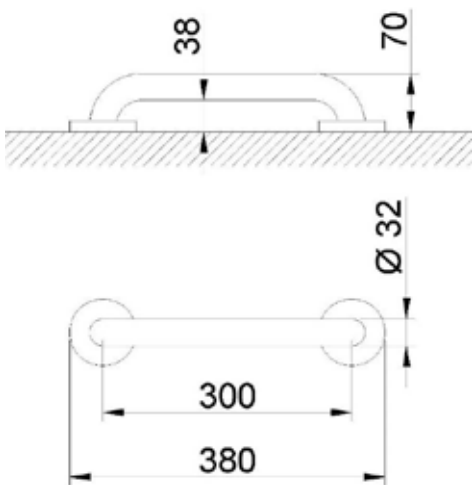
STRAIGHT GRAB BAR

- Straight grab bar to fix to wall.
- Recommended for use in bathrooms, WC and showers.
- Suitable for bathrooms adapted to disabled.
- Stainless steel black finish. Also available in white epoxy-polyester painted finish (VELO 15054.30.W), satin finish (VELO 15054.30.S) and polish finish (VELO 15054.30.B).
- Other models available: 450 mm / 600 mm / 800 mm / 100 mm / 120mm.

TECHNICAL DATA

- Made of Stainless Steel AISI 304.
- Two fixing points.
- Length: 300 mm.
- Distance from bar to wall: 38 mm.
- Ø 32 mm tube grab. Steel thickness: 1,5 mm.
- Recommended installation height: 70-75 cm from floor.
- Cleaning: we recommend cleaning with a cotton cloth slightly moistened with a soap solution. Then dry it.

TECHNICAL DRAWING



DIMENSIONS IN mm

SUGGESTED TEXT FOR PRESCRIPTION

Straight grab bar VELO, to fix to wall. In AISI 304 black finished stainless steel. Length: 300 mm. Ø32 mm tube grab. Steel thickness: 1,5 mm.

Related Products

15206.N	15064.N	15047.W	15203.B	15054.60.N	15052.N