



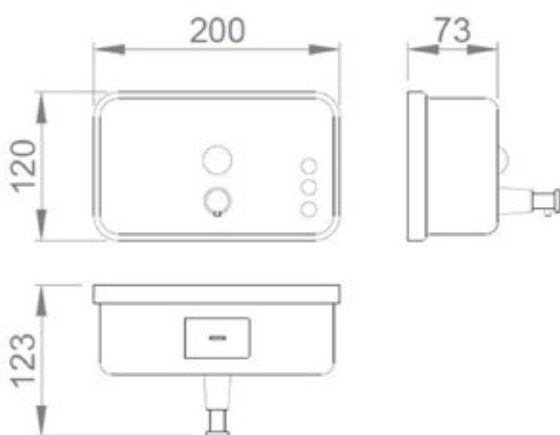
### VELO LIQUID SOAP DISPENSER

- Horizontal soap dispenser with push button for wall installation.
- Activation with push button.
- Suitable for public places.
- Stainless steel sheet housing gloss finish. Also available in satin finish (VELO 03042.S).
- Durability and resistance to corrosion.
- Robust, anti vandalism and manufactured without edges or sharp edges for safety in use.

### VELO TECHNICAL DATA

- Made of AISI 304 stainless steel satin finished, one piece housing and 1 mm thickness.
- Plastic inner tank. Capacity: 1,2 liters. Refillable.
- Top level security filling using special key supplied.
- Installation: 3 hidden points for fixing to the wall. Screws included.
- Chromed brass push button.
- Anti vandalism visor with polycarbonate content.
- Dimensions: 120 height x 200 width x 123 depth (mm).
- Weight (empty): 0,7 kg.
- Recommended height of installation on countertop: 120-200 mm.
- Suitable for all types of soaps (except surgical).
- Maintenance: stainless steel needs maintenance because dust can eventually damage the chromium (Cr) content in stainless steel. We recommend monthly cleaning with a stainless steel special cleaner.

### VELO TECHNICAL DRAWING



DIMENSIONS IN mm

### SUGGESTED TEXT FOR PRESCRIPTION

VELO liquid soap dispenser with activation by push button, wall installation, horizontal, made of stainless steel AISI 304 gloss finish. Plastic inner tank.  
Dimensions: 120 height x 200 width x 123 depth (mm).  
Capacity: 1,2 liters.

#### Related Products

01911.B	03023.B	03101.B	07250.B	03202.S	03201.S