



velo SOAP DISPENSER

- Manual soap dispenser with push button activation.
- Wall mounted with hidden fixations.
- Thieproof security top cover.
- Durability and easy to clean.

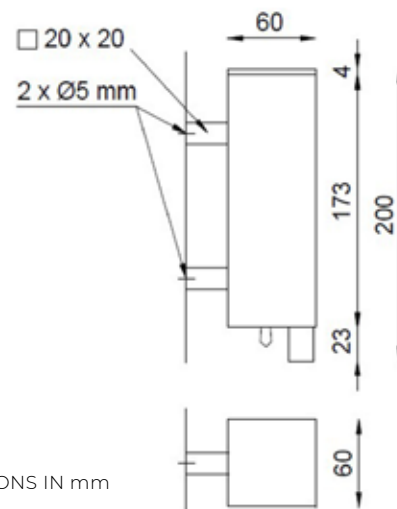
velo TECHNICAL DATA

- Made in satin finished AISI 304 stainless steel.
- Dimensions: 200 height x 60 width x 60 depth (mm).
- Capacity: 300 ml.
- Thickness of the sheet: 0,8 (mm).
- Maintenance: stainless steel needs maintenance because dust can eventually damage the chrome in stainless steel. We recommend monthly cleaning with our special product.

SUGGESTED TEXT FOR PRESCRIPTION

VELO, wall mounted soap dispenser made in AISI 304 stainless steel with push button activation. Hidden fixation system. Dimensions: 200 height x 60 width x 60 depth (mm).

velo TECHNICAL DRAWING



Related Products



03033



03008.W



03023.S



03022.S



03201.S



03001.S