



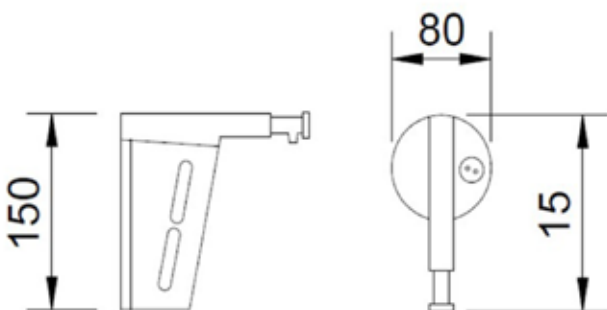
velo SOAP DISPENSER

- Horizontal liquid soap dispenser for hang on wall.
- Pushing button
- Designed for high traffic people use, specially public bathrooms
- Anti vandal and strong
- Polish finished stainless steel

velo TECHNICAL DATA

- Made in Stainless Steel AISI 304.
- Manual push button.
- Lateral soap level viewer .
- Transparent plastic tank inside.
- Refill cap on top including a special key.
- Equipped with wall fixing materials.
- Dimensions: 150 high x 80 wide x 150 deep mm.
- Recommended distance to install from counter: 120 – 200 mm.
- Capacity: 360 ml.
- Designed for all kind of soaps (except surgical).
- Maintenance: stainless steel requires maintenance, after some time dust may damage the stainless steel chrome. We recommend a regular clearing with an specific stainless steel cleaner.

velo TECHNICAL DRAWING



DIMENSIONS IN mm

SUGGESTED TEXT FOR PRESCRIPTION

VELO soap dispenser code 3003 or similar made in AISI 304 Stainless Steel to fix to wall . Dimensions: 150 high x 80 wide x 150 deep mm. Capacity: 360 ml.

Related Products



03001.B



03028.B



03025



03020



03101



03002.B