

**NOFER**<sup>®</sup>

**WINDFLOW HAND DRYER  
SERVICE MANUAL**



# **SERVICE MANUAL**

# **WINDFLOW**

**May 2014**

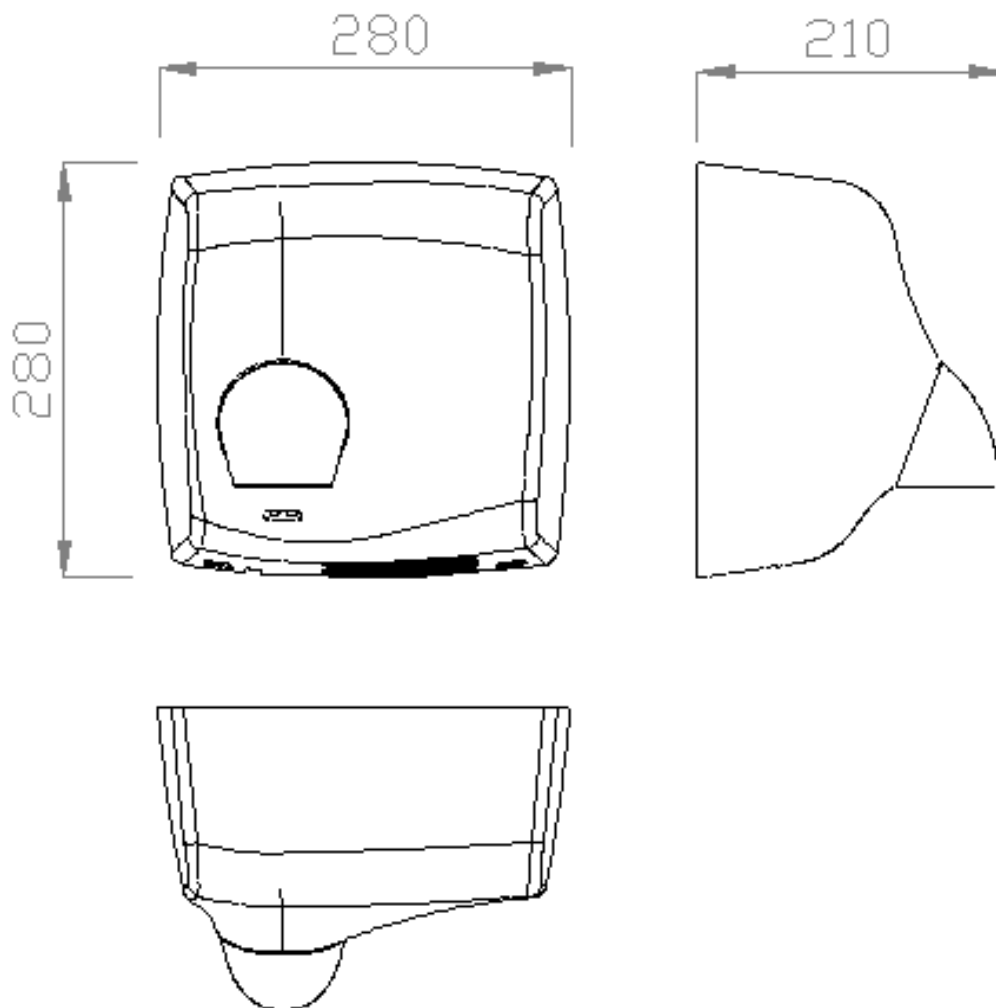
Version: **4.0**

Date: <b>22/05/2014</b>	Code: <b>WINDFLOW Service Manual</b>	Version: <b>4.0</b>	
	NOFER		



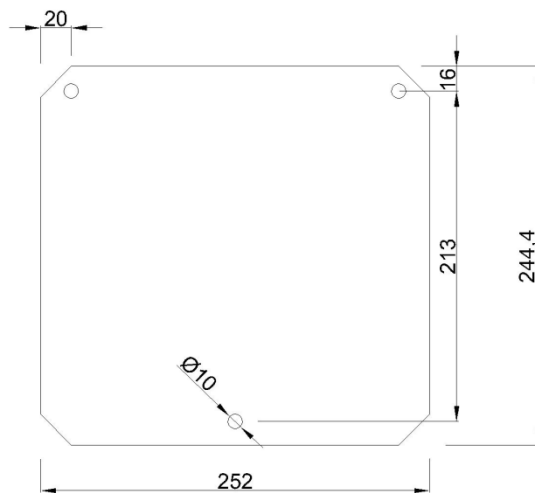
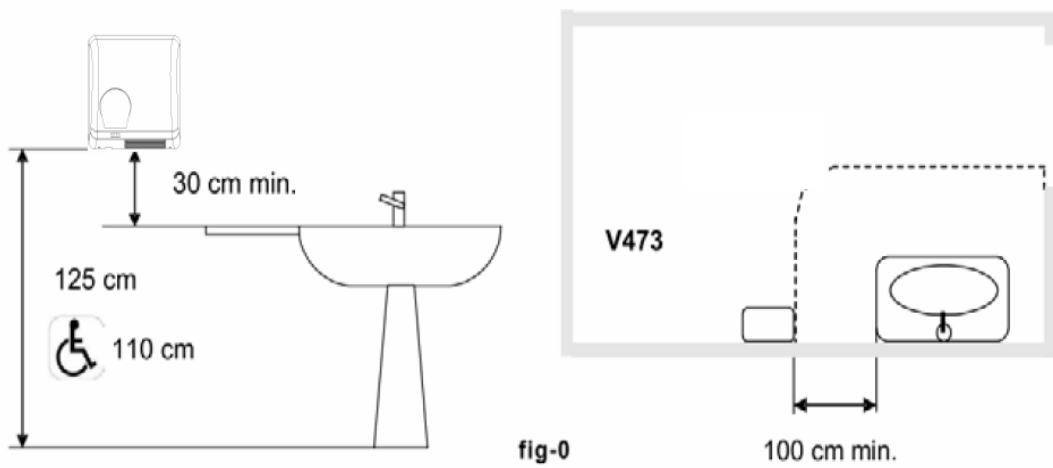
## TECHNICAL SPECIFICATIONS

MODEL	SENSOR WINDFLOW
TECHNICAL FEATURES	
VOLTAGE (V)	230
FREQUENCY (Hz)	50/60
TOTAL POWER (W)	2450
ELECTRICAL INSULATION	CLASS I
PROTECTION RATING	IPX1
ELECTRICAL CONSUMPTION (A)	10,6
AIR TEMPERATURE AT 20°C (°C)	53°C AT 10 CM
NOISE LEVEL (dba)	70
AIR SPEED (Km/h)	117
HEATING ELEMENT	Ni-Cr SPIRAL WITH CERAMIC SUPPORT
SAFETY THERMOSTAT	YES
MOTOR ELECTRICAL PROTECTION	YES
EVOLUTE	FIREPROOF VITROPREG
MOTOR SPEED (RPM)	6.500
STAINLESS STEEL CASING	AISI 304
FLOW (l/min)	5500
ACTIONING	SENSOR

**WINDFLOW TECHNICAL DRAWING**



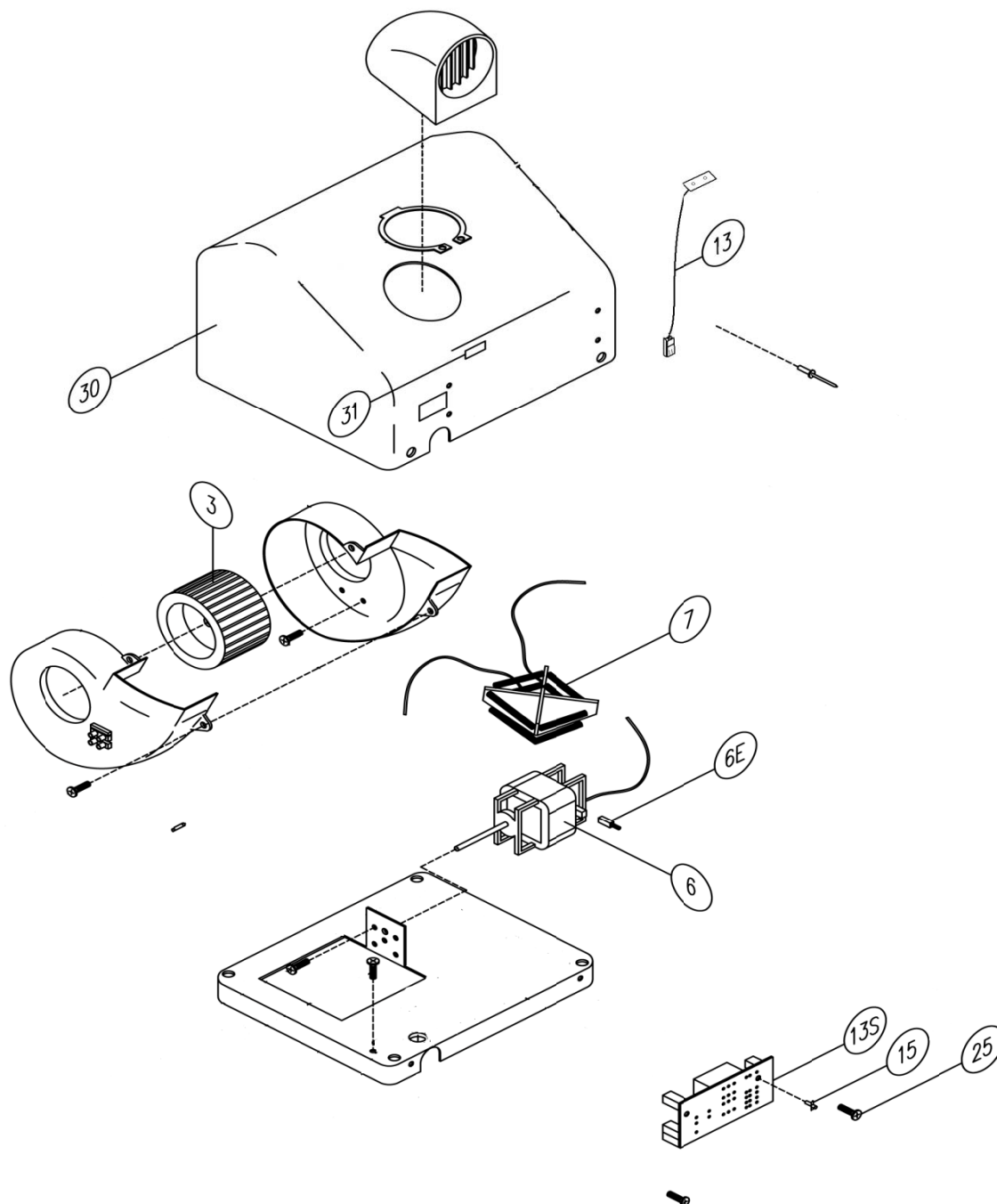
**INSTALLATION**





**EXPLOSION DRAWING**


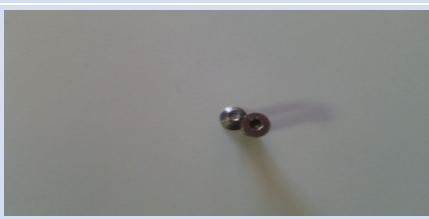
**MODEL: WINDFLOW**





POSICIÓN DESPIECE	CÓDIGO RECAMBIO	DENOMINACIÓN TÉCNICA	FOTO PRODUCTO
<b>13S</b>	90024 90024.120	Sensor electronic device 230V Sensor electronic device 120V	
<b>6</b>	90002 90002.120	Motor 230V Motor 120V	
<b>6E</b>	90003	Motor Brushes	
<b>7</b>	90004 90004.120	Ceramic spiral resistance 230V Ceramic spiral resistance 120V	
<b>3</b>	90030	Plastic turbine WINDFLOW	
<b>13</b>	90011	WINDFLOW sensor wire	



15	90033	Clip support Ref.- CS-0610 (4 Units)	
25	90041	Stainless steel screw M6x16 DIN 7991.A2	
30	90092.B 90092.S 90092.W	Casing WINDFLOW POLISH Casing WINDFLOW SATIN Casing WINDFLOW WHITE STEEL	