



SERVICE MANUAL

THIN

Mach 2014

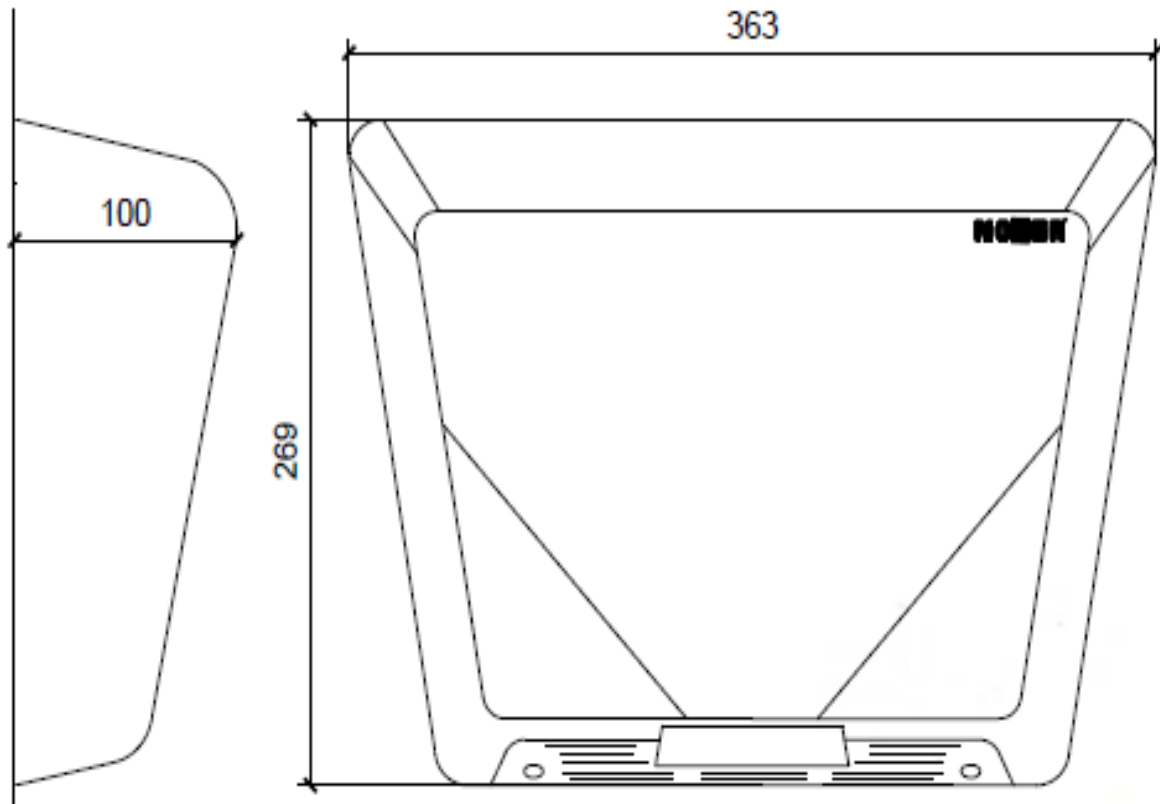
Version: **3.0**

Date: 13/03/2014	Code: THIN Service Manual	Version: 3.0	Page 1
	NOFER		

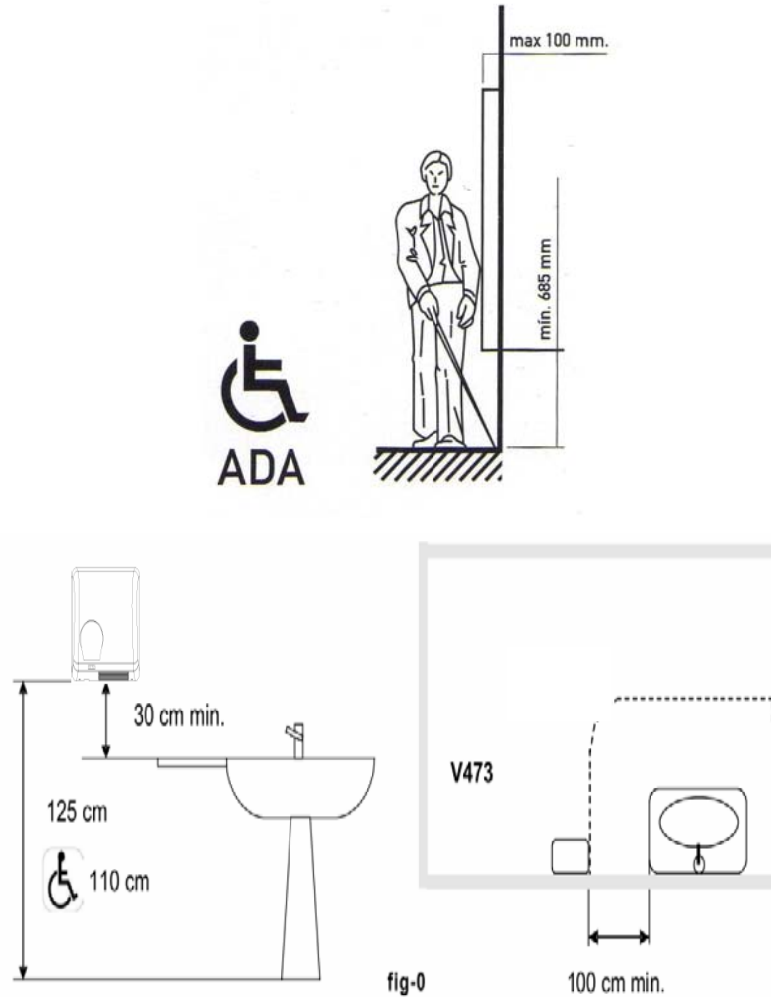
TECHNICAL SPECIFICATIONS

MODEL	SENSOR THIN
TECHNICAL FEATURES	
VOLTAGE (V)	230
FREQUENCY (Hz)	50
TOTAL POWER (W)	2350
ELECTRICAL INSULATION	I
PROTECTION RATING	IPX1
ELECTRICAL CONSUMPTION (A)	9.56
AIR TEMPERATURE AT 20°C (°C)	39°C AT 10 CM
NOISE LEVEL AT 2m (dbA)	69
AIR SPEED (Km/h)	90
HEATING ELEMENT	Ni-Cr SPIRAL WITH CERAMIC SUPPORT
SAFETY THERMOSTAT	YES
MOTOR ELECTRICAL PROTECTION	YES
EVOLUTE	FIREPROOF VITROPREG
MOTOR SPEED (RPM)	8.300
FLOW (l/min)	2400
STAINLESS STEEL CASING	AISI 304
ACTIONING	SENSOR

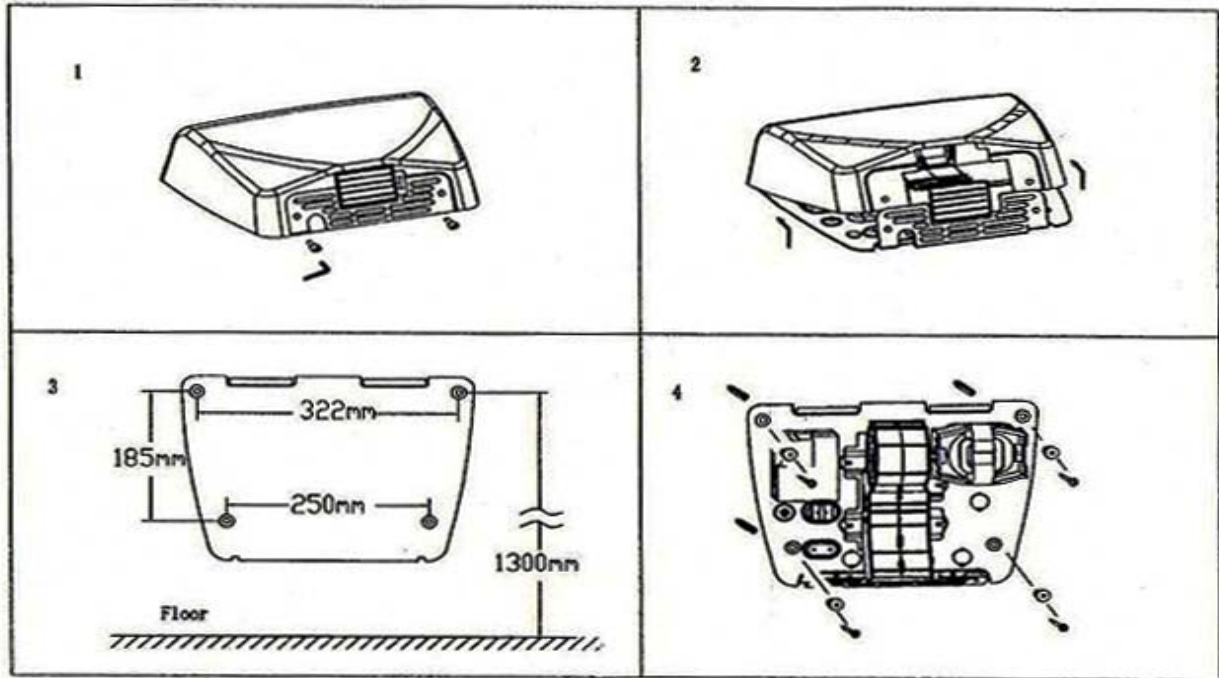
THIN TECHNICAL DRAWING



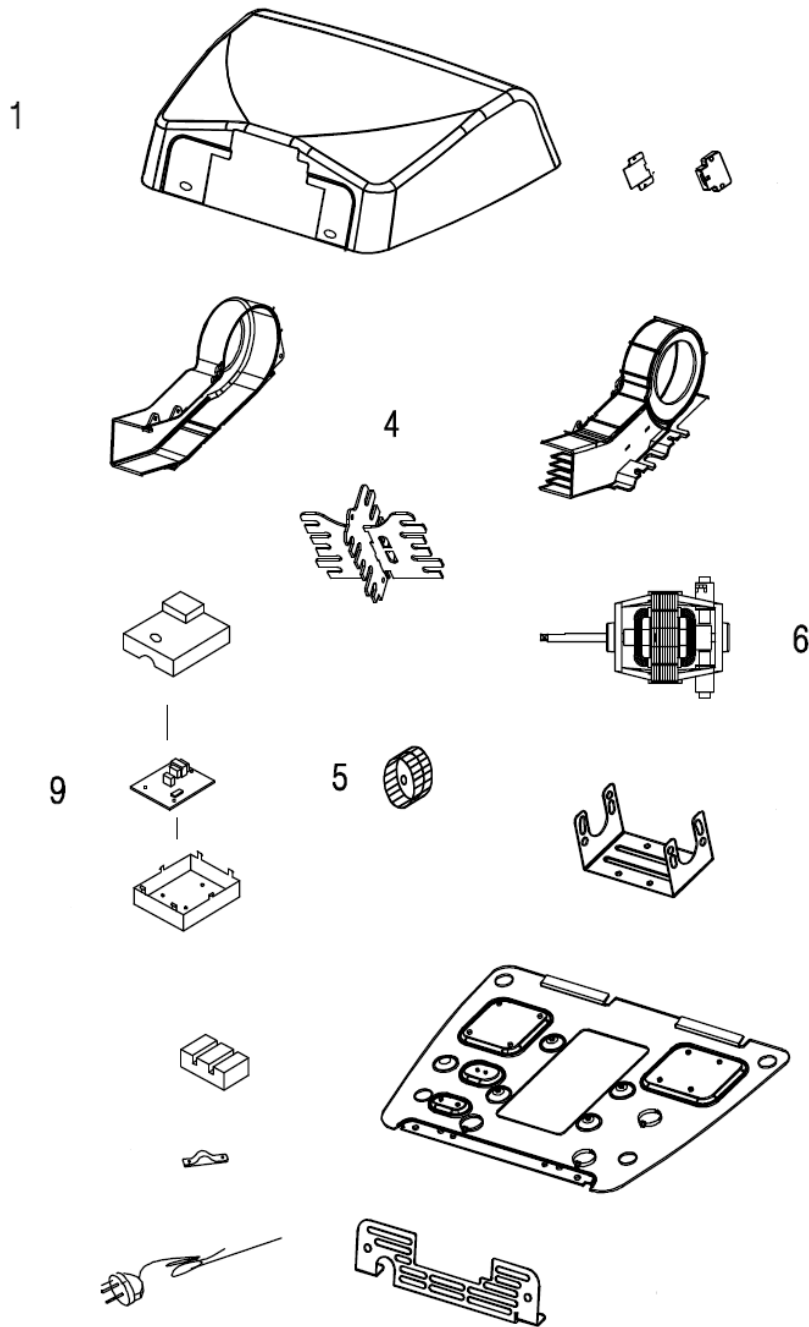
INSTALLATION








EXPLOSION DRAWING



MODEL: THIN



EXPLOSION POSITION	REPLACEMENT REFERENCE	TECHNICAL NAME	PRODUCT PICTURE
9	90007.31	Electronic sensor plate	
6	90002.32	Motor	
4	90004.32	Ceramic spiral resistance	
5	90030	Plastic turbine THIN	
6	90003.33	Motor brushes THIN	
1	90093.B 90093.S 90093.W	Casing THIN Polish Casing THIN Satin Casing THIN White Steel	