



SERVICE MANUAL

KAI

April 2014

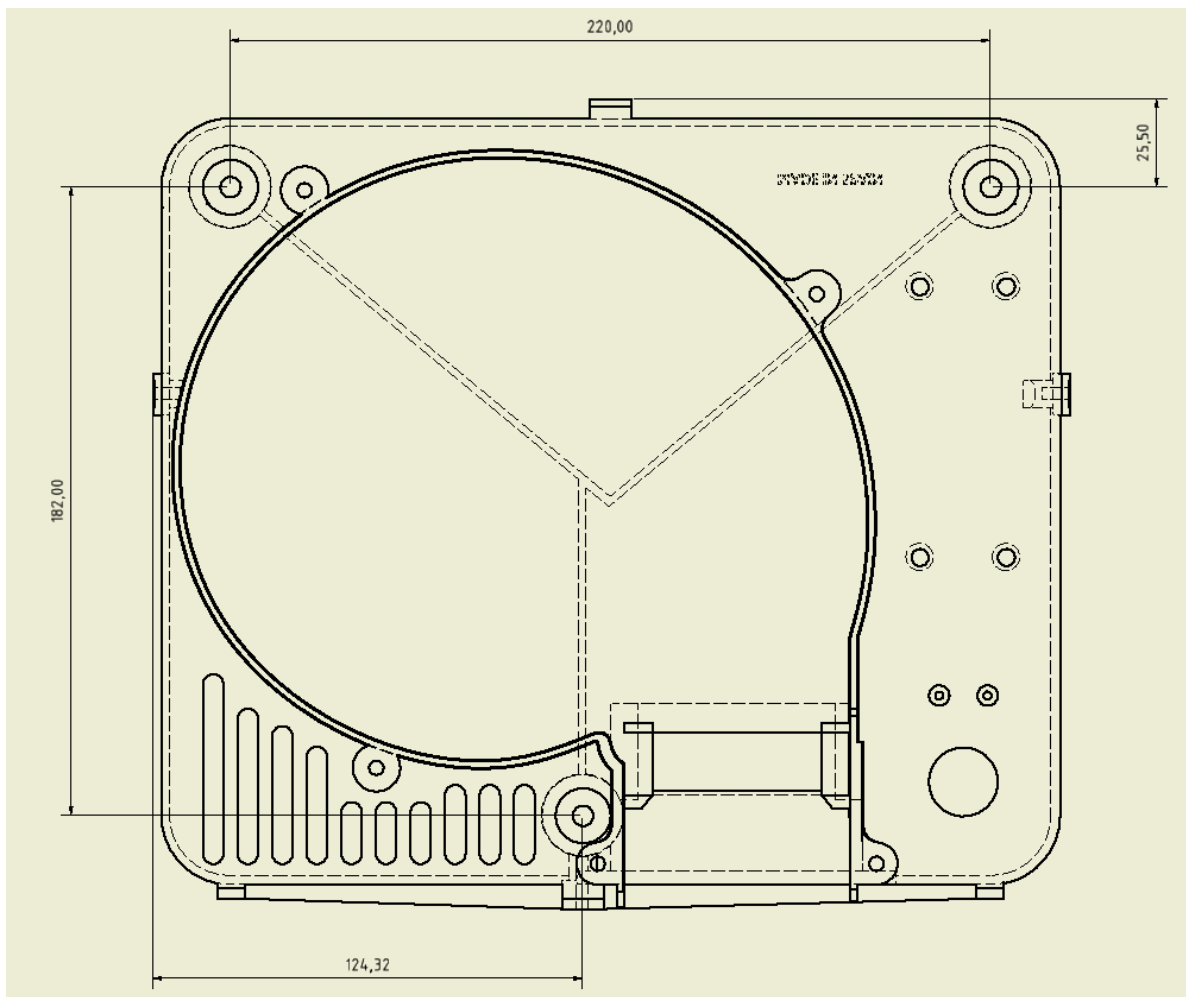
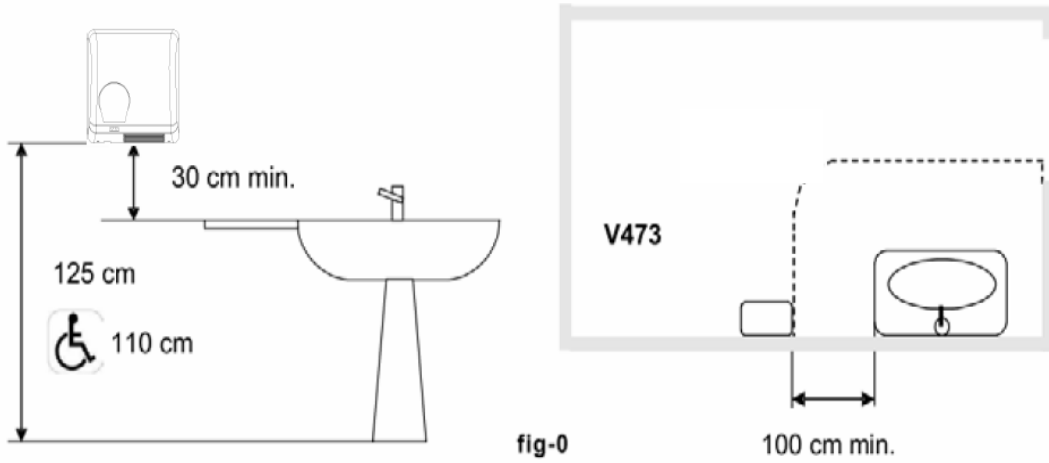
Version: 1.0

Date: 7/04/2014	Code: KAI Service Manual	Version: 1.0	
	NOFER		

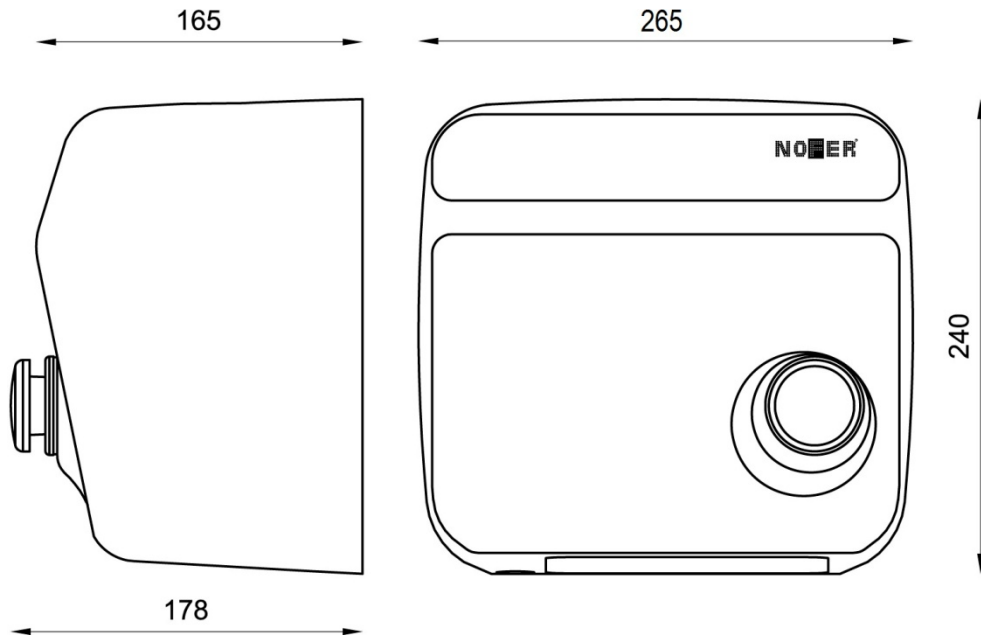
TECHNICAL SPECIFICATIONS

MODEL	PUSH BUTTON KAI	SENSOR KAI
TECHNICAL FEATURES		
VOLTAGE (V)	230	230
FRECUENCY (Hz)	50/60	50/60
TOTAL POWER (W)	1500	1500
ELECTRICAL INSULATION	II	II
PROTECTION RATING	IPX1	IPX1
ELECTRICAL CONSUMPTION (A)	6.6	6.6
AIR TEMPERATURE 20°C (°C)	50°C AT 10 CM	50°C AT 10 CM
NOISE LEVEL AT 2m (db)	60	60
AIR SPEED (Km/h)	65	65
HEATING ELEMENT	NI-CR SPIRAL WITH CERAMIC SUPPORT	NI-CR SPIRAL WITH CERAMIC SUPPORT
SAFETY THERMOSTAT	YES	YES
MOTOR ELECTRICAL PROTECTION	YES	YES
EVOLUTE	ABS V0	ABS V0
MOTOR SPEED (RPM)	2800	2800
CASING MATERIAL	STEEL / AISI 304 STAINLESS STEEL	STEEL / AISI 304 STAINLESS STEEL
CASING FINISHING	WHITE EPOXY PAINTED / POLISH - SATIN	WHITE EPOXY PAINTED / POLISH - SATIN
CASING THICKNESS	1,0 mm	1,0 mm
FLOW (l/min)	2300	2300
ACTIONING	PUSH BUTTON	SENSOR
PUSH BUTTON TIMING SETTING	FROM 0 TO 90 s.	-
SENSOR REGULATION RANGE	-	FROM 1 TO 35 cm

INSTALLATION

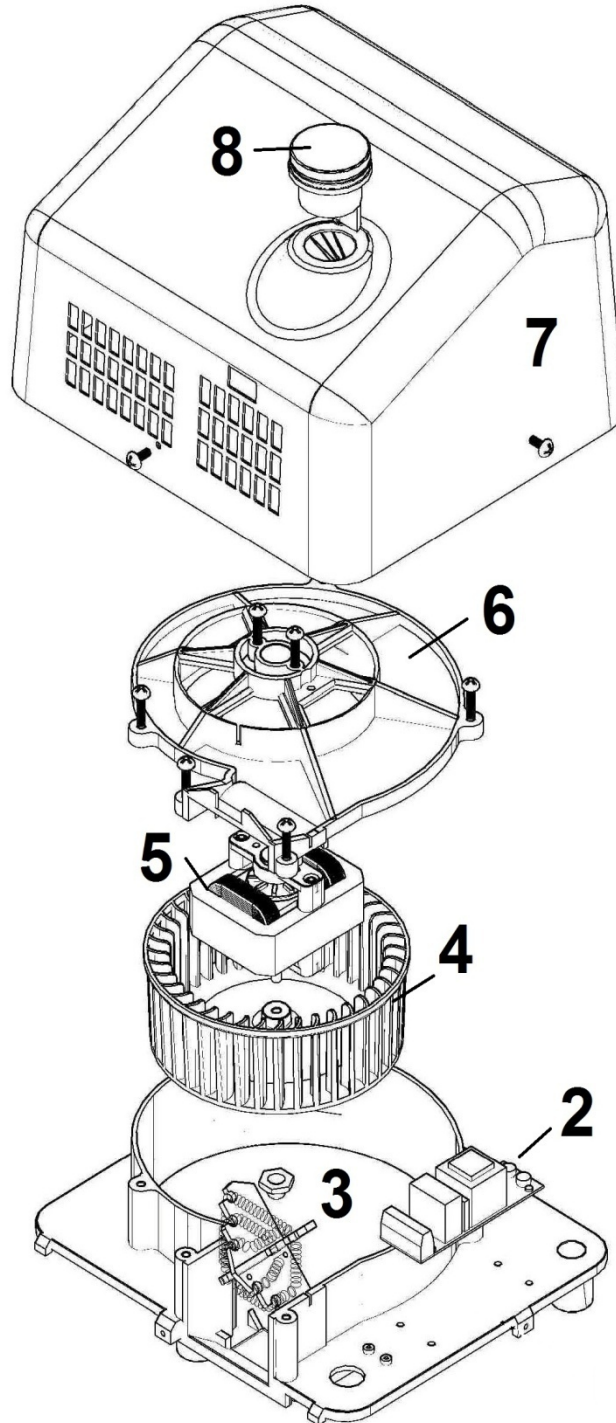


PUSH BUTTON KAI TECHNICAL DRAWING




EXPLOSION DRAWING

MODEL: PUSH BUTTON KAI

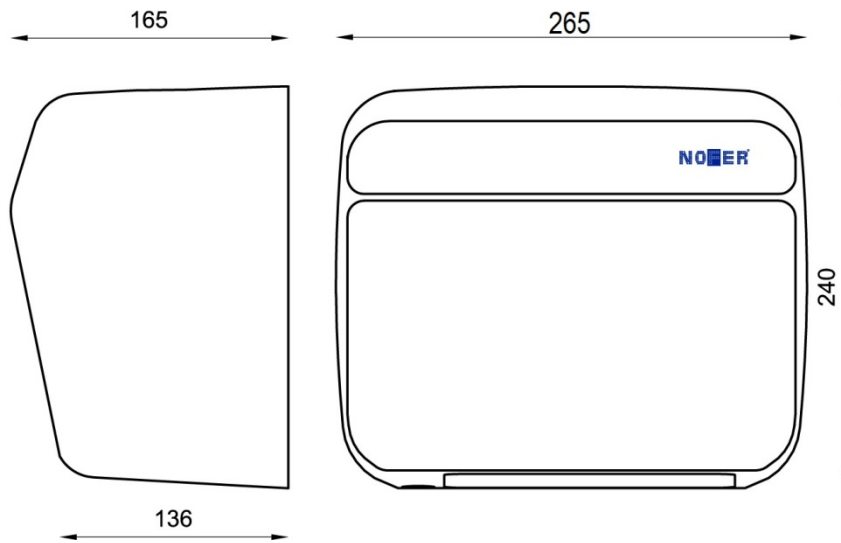


EXLOSION POSITION	REPLACEMENT REFERENCE	TECHNICAL NAME	PRODUCT PICTURE
1		Mounting plate KAI	
2	90024 90024.120	KAI electronic device 230V KAI electronic device 120V	
3	90004.BIG 90004.BIG.120	Ceramic spiral resistance 230V Ceramic spiral resistance 120V	
4	90030.BIG	Plastic Turbine KAI	
5	90002.BIG 90002.BIG.120	Motor KAI 230V Motor KAI 120V	
6	90031.BIG	Evolute cover KAI	
7	90095.B 90095.S 90095.W	Casing Push Button KAI Polish Casing Push Button KAI Satin Casing Push Button KAI White	

8	90023	Push button KAI Kit	
	90033	Clip support Ref.- CS-0610 (4 Units)	
	90043	Stainless steel screw M6x16 DIN 7991.A2	
	90008	Push button Wire (Micro-switch)	
	90038	Circlip DIN 471/E Diam.-35	

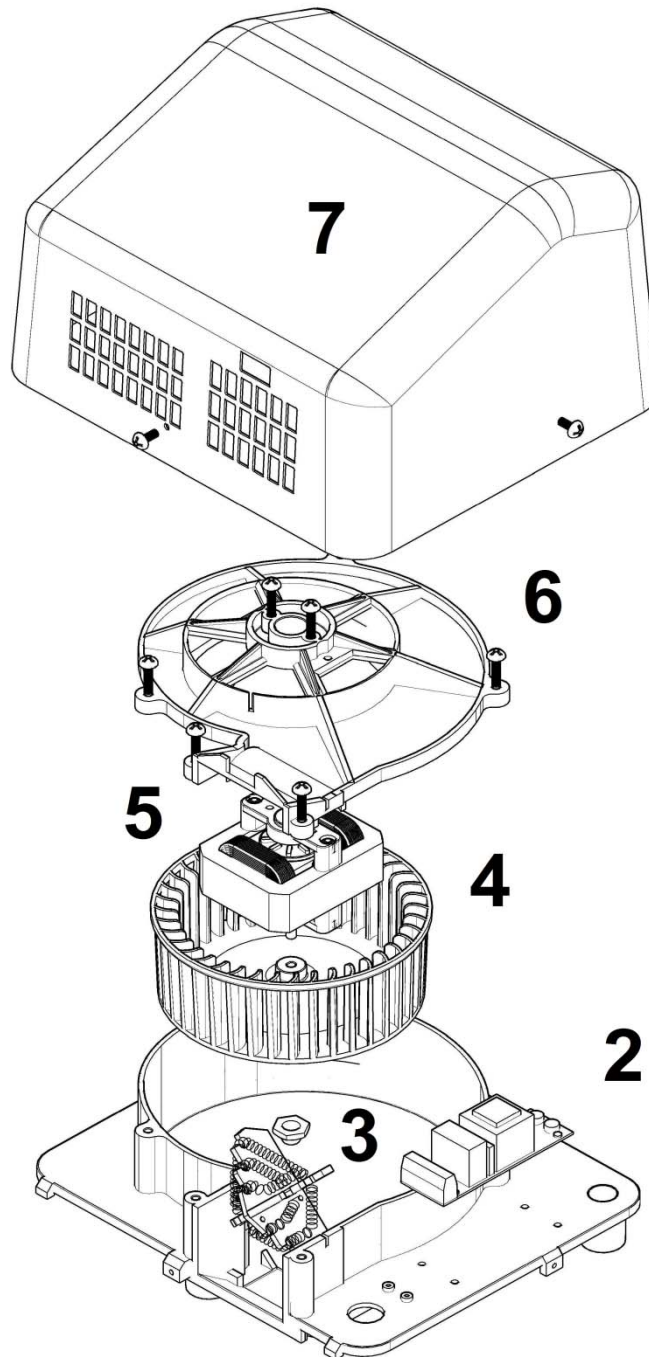
*Finishing: **.B** – Polish **.S** – Satin **.W** – White steel

SENSOR KAI TECHNICAL DRAWING





EXPLOSION DRAWING

MODEL: SENSOR KAI



EXPLOSION POSITION	REPLACEMENT REFERENCE	TECHNICAL NAME	PRODUCT PICTURE
2	90024 90024.120	KAI electronic device 230 V KAI electronic device 120 V	
3	90004.BIG 90004.BIG.120	Ceramic spiral resistance 230V Ceramic spiral resistance 120V	
4	90030.BIG	KAI plastic turbine	
5	90002.BIG 90002.BIG.120	Motor KAI 230V Motor KAI 120V	
6	90031.BIG	Evolute cover KAI	
7	90096.B 90096.S 90096.W	Casing Sensor KAI Polish Casing Sensor KAI Satin Casing Sensor KAI White	

8	90011	Wire with sensor	
	90033	Clip support Ref.- CS-0610 (4 Units)	
	90043	Stainless steel screw M6x16 DIN 7991.A2	